

FLOOR LAYING INSTRUCTIONS

ARBITON AROQ DRYBACK

NOTICE!

In order to eliminate colour discrepancies, during a given investment, it is recommended to use panels from a single production batch for installation. Before the installation, it is absolutely necessary to check the production batch, whose number can be found on each packaging.

NOTICE!

Before the installation, the panels must be carefully checked for material defects, especially decorative surface defects, mechanical damage of locks as well as colour or gloss discrepancies.

The variety and frequency of structures, wooden rings and knots, the presence of whitened wooden rings or cracks are elements of the design and do not constitute product defects. The installation of panels is regarded as the product acceptance and no damage and/or colour discrepancies as well as design varieties listed above can be the grounds for any subsequent claims regarding the product.

It is recommended that the panels be sorted according to the designs and shades before they are laid, and then the panels must be installed alternately in order to obtain the satisfactory uniform effect of variety in the room area. The panels should always be laid towards the main light source in order to obtain the best possible visual effect.

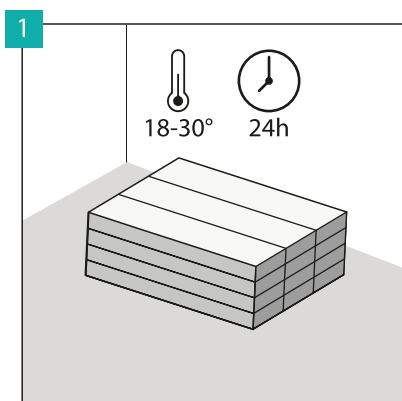
The open packaging must be used immediately (see-> PREPARATION, section No. 8)

GLUE DOWN VINYL FLOOR

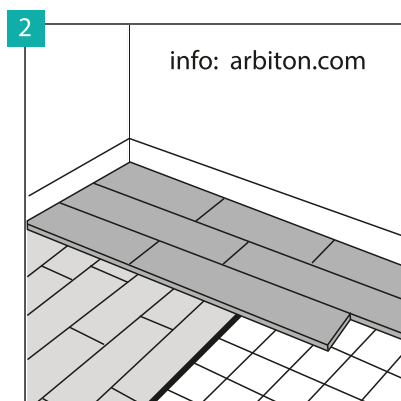
AROQ COLLECTION



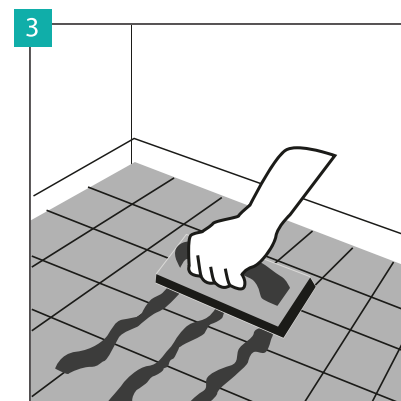
PREPARATION



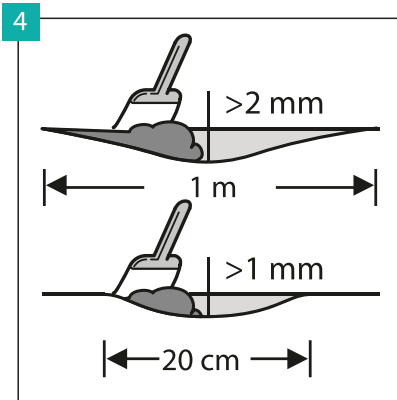
It is recommended to maintain caution during the transport and storage of panels. It is recommended to transport and store the product in a lying position. The packaging must not be placed vertically, stored in wet or dusty premises or in locations exposed to the impact of extreme temperatures. Before their installation the panels must be subjected to the 24-hour acclimatisation at the temperature of 18–30°C, in the premises where they will be installed. In the event of transport or/and storage at the temperature below +5°C, the time acclimatisation must be extended to 48 hours.



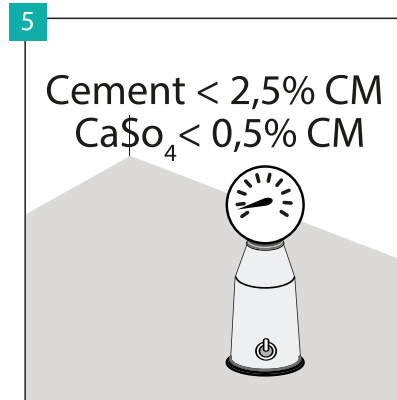
The type of substrate, its quality and preparation, especially any irregularities, have a decisive impact on the final effect. Panels are suitable for installation on cement and anhydrite floors, self-levelling grouts, on ceramic tiles, glued parquet, glued PVC floor coverings and linoleum as well as floors made of OSB boards or plywood with their lack of deflection and moisture content in wood below 10%. The installation on floating floors such as layered plank and laminated panels is allowed provided that a substrate with the CS = 200 kPa and vapour-insulation barrier with SD >75 m was laid under them properly. Do not lay the panels directly on fitted carpets and other soft floor covers. Before the installation, the underlay and the floor cover must always be lined with acoustic-levelling underlay indicated by the guarantor. Failure to lay the underlay or the laying of the improper underlay will result in the loss of the warranty and high risk of damage to the panels.



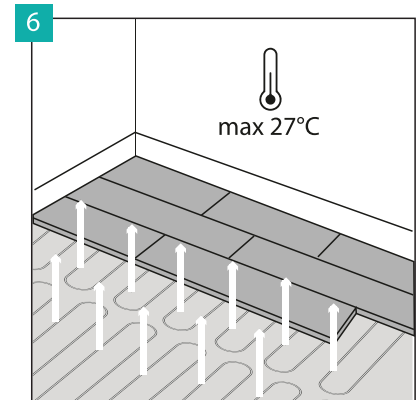
In the case of installation on the substrate covered with ceramic tiles, fill the tile joints with a durable compound for the filling of points, e.g. resin grout is recommended. While using the mat with the Arbiton Multiprotec LVT Fastlay or Ewifoam Vinlay Rapid HD adhesive layers, it is not necessary to fill the tile joints with a point thickness up to 3 mm and depth of 1.5 mm.



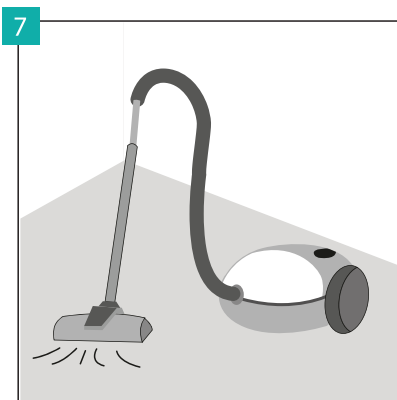
Make sure that the substrate is completely flat. All substrate irregularities exceeding 1 mm, with a length greater than 20 cm, or exceeding 2 mm with a length greater than 1 m must be levelled. Check if the use of the priming or sealing material is necessary. In order to prepare the substrate perfectly, spread the grout or the self-levelling compound on the entire surface.



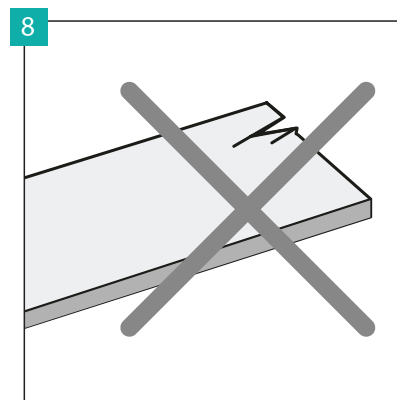
In the case of the cement grout, the moisture content in the substrate must be lower than 2.5%, and in the case of the anhydrite grout, it must be lower than 1.5%. In the case of installation with the underfloor heating, the above-mentioned values must be 1.5% and 0.3% respectively.



The floor panels may be applied on the substrate with underfloor heating, provided that the maximum temperature of the floor surface is maintained at the level of 27°C. The underfloor heating must be switched off one day before the installation, and after the panels are laid, wait for another day and gradually switch on the underfloor heating (5°C per day). It is allowed to install the floor over the water floor heating or electric floor heating (sunk in the substrate) which guarantee the aforementioned temperature ranges. It is not recommended to perform the installation directly on the electric heating mat.

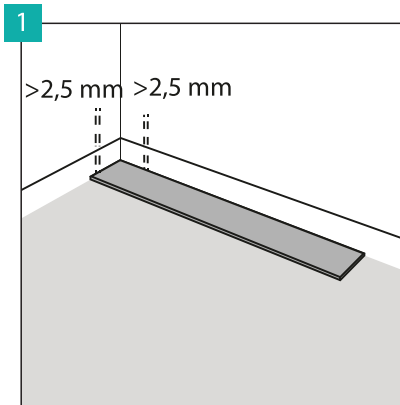


Make sure that the substrate is dry, flat, stable and free of any grease or chemical substances. The protruding irregularities must be scratched off and removed. Before the installation, the ground must be swept and vacuumed carefully so as to remove any contamination. It is necessary to repair any more serious imperfections of the substrate and large cracks.

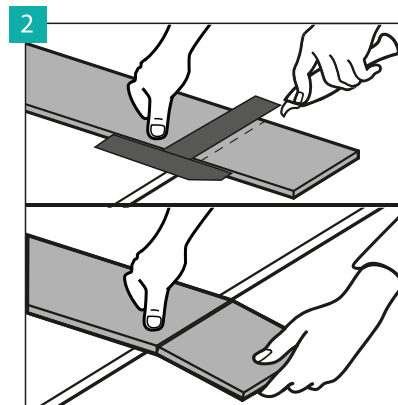


Before and during the installation, control all the panels in the optimal lighting conditions. Do not use defective panels.

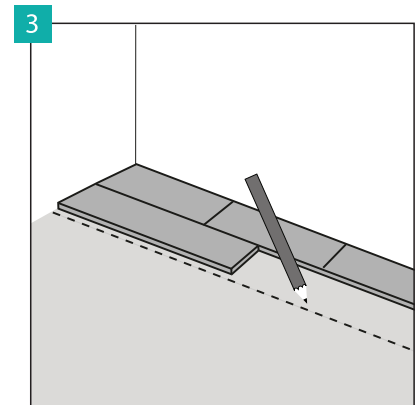
LAYING PANELS ON ADHESIVE



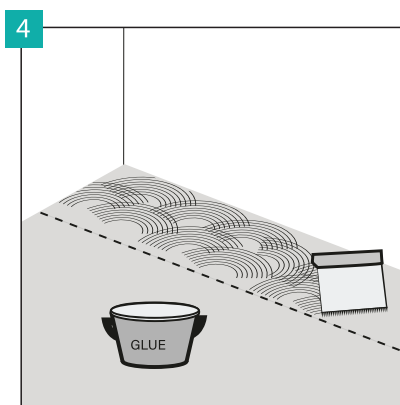
Leave 2.5 mm of perimeter space at the walls to allow the floor expansion. The maximum surface which can be laid without additional expansion joints is 200 m². Above this surface, apply an additional expansion joint and enlarge all the expansion joints up to 5 mm. The maximum length of the floor surface in one direction, which can be laid without additional expansion joints is 20 m. Above this length, apply an additional expansion joint and enlarge all the expansion joints up to 5 mm.



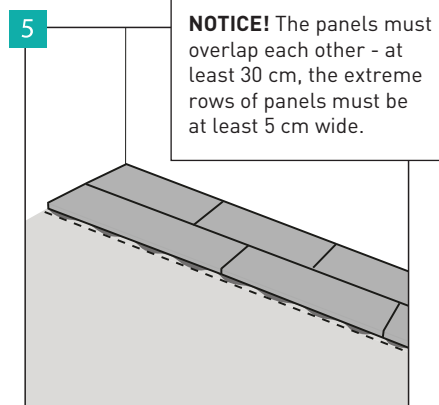
For additional cutting of floor panels, use a sharp knife, cut the top layer, then break the panel by leaning it on the edge.



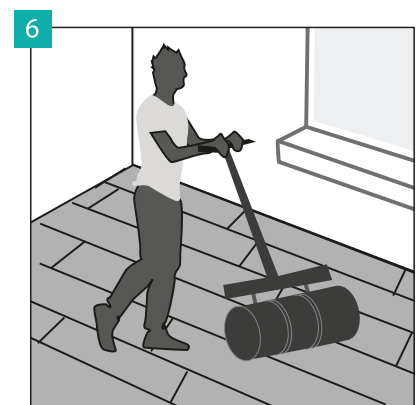
Determine the reference line to cover a part of the substrate with an adhesive, so as to glue the panels.



Use the adhesive for PVC or vinyl panels. Each adhesive for such floors has a clearly indicated time for which it can be left without installing the panels. If the surface of the substrate is left covered with an adhesive for a longer period of time than that indicated by the manufacturer, it will cause its drying and the necessity to remove it. Depending on the absorptivity of the substrate, the adhesive must be applied with an A1 trowel (the thinner layer of the adhesive) or A2 trowel (the thicker layer of the adhesive). It is necessary to remember that the excess of the adhesive may flow out between the panel joints and be visible on the floor surface.

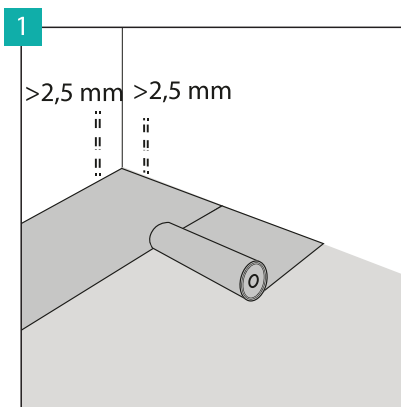


Glue the panels to the substrate by laying them tightly to one another, without leaving any gaps. The laying of the first line of panels perfectly straight will affect the good visual effect of the whole room.

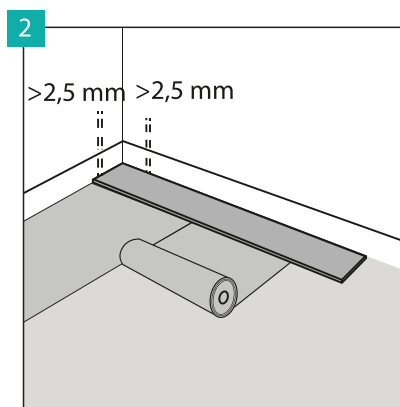


Not later than 30 minutes after gluing the panels, use a heavy roller in order to press the glued panels to the substrate accurately and evenly.

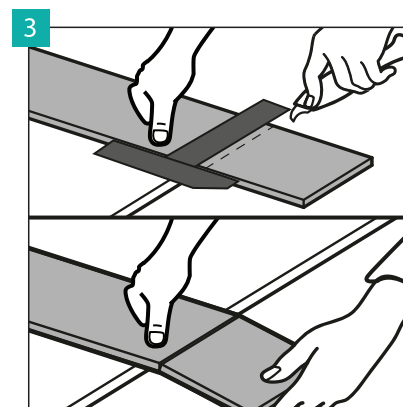
LAYING PANELS ON THE MULTIPROTEC FASTLAY INSTALLATION MAT



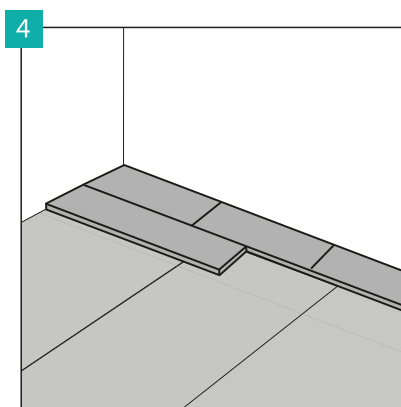
Lay Arbiton Multiprotec LVT Fastlay HD or Ewifoam Vinlay Rapid HD in a direction perpendicular to the direction in which panels are laid, maintaining the 2.5 mm wall expansion joint. The neighbouring underlay ribbons must be fitted to each other, without leaving any unnecessary space.



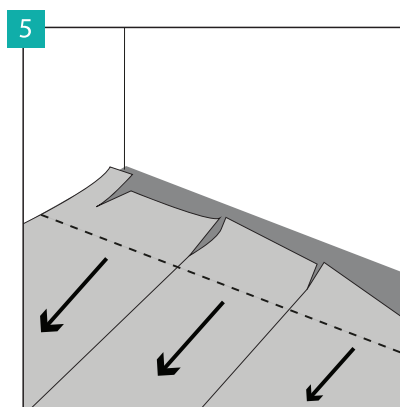
Leave 2.5 mm of perimeter space at the walls to allow the floor expansion. The maximum surface which can be laid without additional expansion joints is 100 m². Above this surface, apply an additional expansion joint and enlarge all the expansion joints up to 5 mm. The maximum length of the floor surface in one direction, which can be laid without additional expansion joints is 10 m. Above this length, apply an additional expansion joint and enlarge all the expansion joints up to 5 mm.



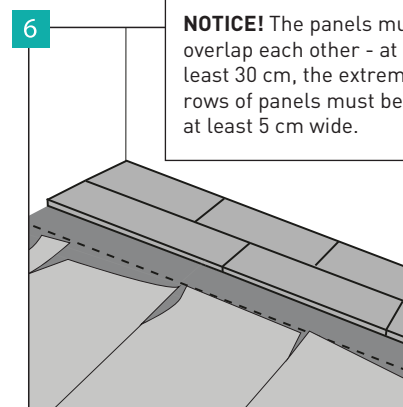
For additional cutting of floor panels, use a sharp knife, cut the top layer, then break the panel by leaning it on the edge. The floor panels may also be easily cut using an electric saw.



The panels must be laid perpendicularly to the direction of unfolding of the installation mat. Before the panels are glued to the installation mat, spread the panels on the surface and check their location. The panels should be laid in such a manner as to overlap a given ribbon of the installation mat - minimum 10 cm.



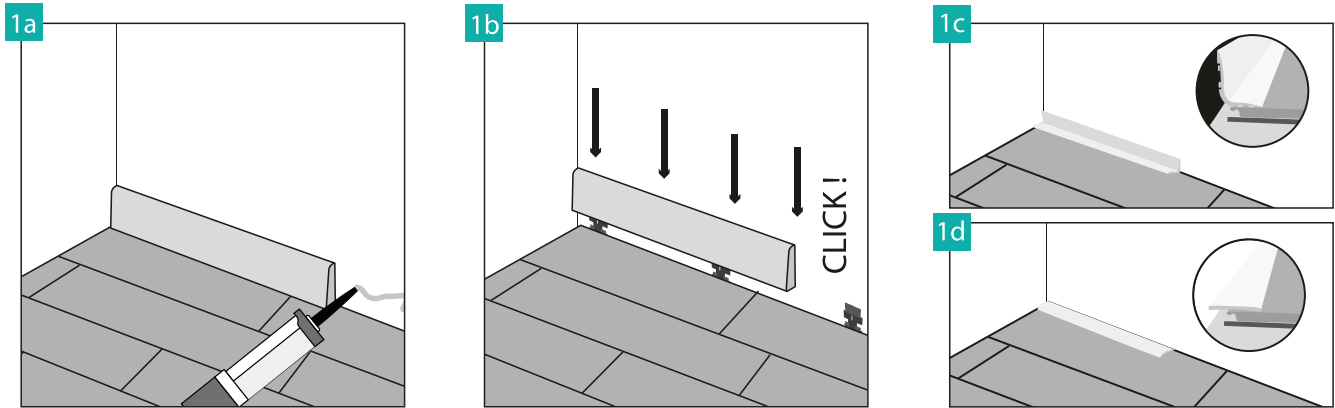
Remove a part of the protective film and glue the panels to the uncovered adhesive, laying them tightly next to each other, without leaving any gaps. The adhesive on the protective mat may be uncovered for no longer than 30 minutes, and at this time, panels must be glued to it.



NOTICE! The panels must overlap each other - at least 30 cm, the extreme rows of panels must be at least 5 cm wide.

The laying of the first line of panels perfectly straight will affect the good visual effect of the whole room. Not later than within 30 minutes from the gluing of the panel (provided that no one had walked on it or pressed it with the roller), the way the panel is laid may be corrected, therefore, it can be unglued from the surface of the installation mat and glued again. Each time the panel is unglued and glued, the performance of the adhesive is locally weakened, therefore, the recommendation of the manufacturer is that the panel position may be corrected not more than twice.

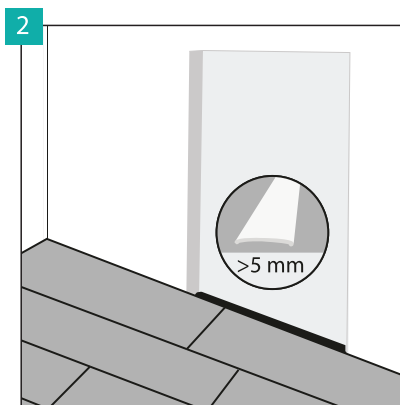
FLOOR FINISH



Expansion joints along the walls must be covered with a decorative strip, assembling it by means of an adhesive or special clips. It is recommended to use the Arbiton strips dedicated to a given panel, which guarantee the excellent colour match and the coat resistant to scratching.

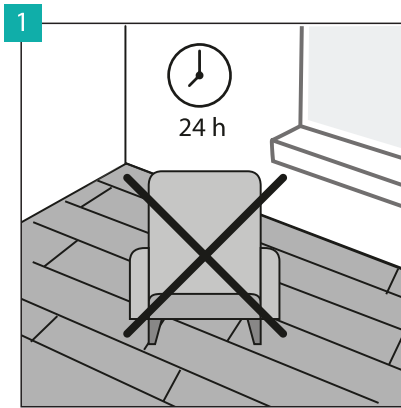
NOTICE! Each surface installed on the Multiprotect Fastlay installation mat must be finished with strips or a profile at the walls. This will prevent the contamination and moisture from penetration under the installation mat and will reduce the movement of the floor laid on the installation mat.

NOTICE! It is not recommended to use a flat profile presented in figure 1d to finish the floor installed on the installation mat. However, it is recommended to use the flat profile (fig. 1d) only in the case of panels glued directly to the substrate.



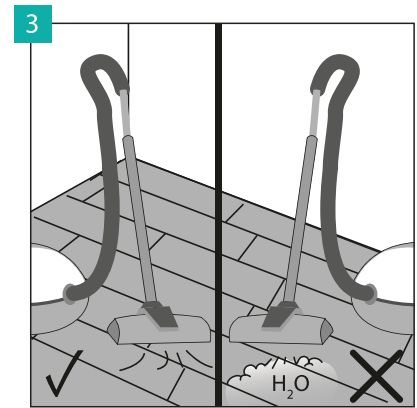
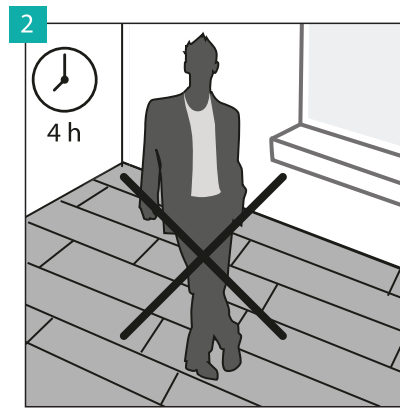
The joints of the neighbouring floor covers must be finished with decorative profiles, leaving expansion joints indicated by the manufacturer.

USE AND MAINTENANCE (GLUE)

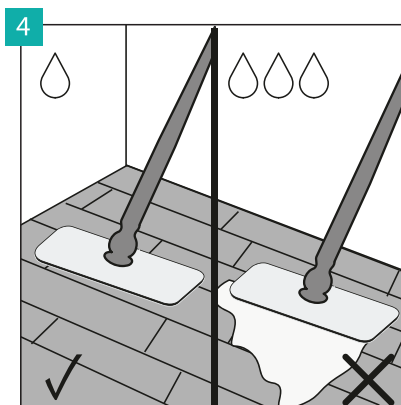


If the panels are installed to the substrate using an adhesive, heavy objects may be placed only after 24 hours from the gluing process, and the floor may be walked on gently after 4 hours from the gluing process.

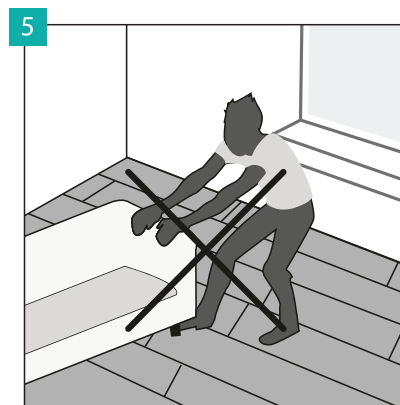
NOTICE! The information given above is indicative only and the guidelines of the adhesive manufacturer included in the instructions for use of the adhesive must always be observed.



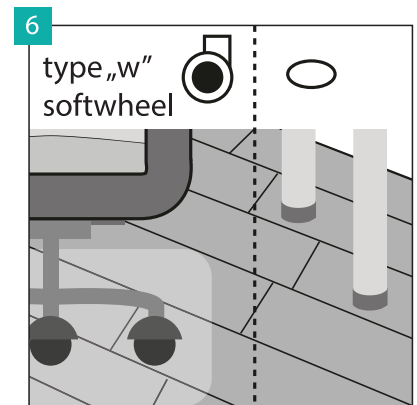
The Arbiton floor may be cleaned with a vacuum cleaner, however, it is prohibited to use steam cleaning devices.



The Arbiton floor can be cleaned with a damp or wet mop.



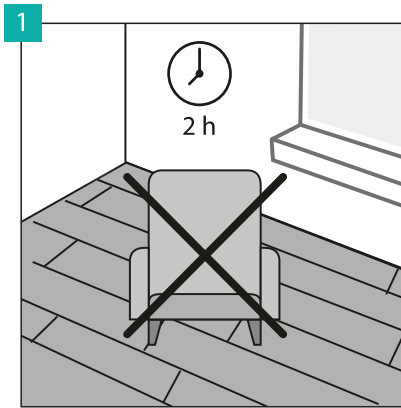
The movement of heavy objects along the floor is not allowed. They must be moved only after they are lifted.



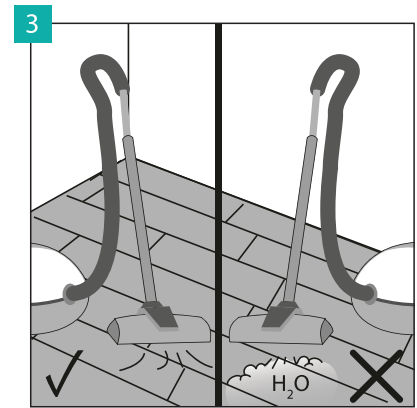
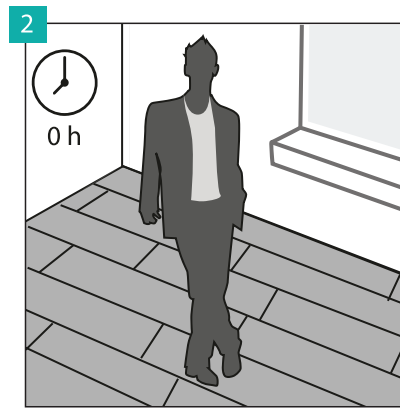
Used office chairs with W-type castors, protecting the floor additionally by means of the protective net. The furniture legs must be provided with protective pads which provide protection against scratching, e.g. made of felt.

WATCH THE
INSTALLATION
VIDEOS
ON
www.1space1floor.com

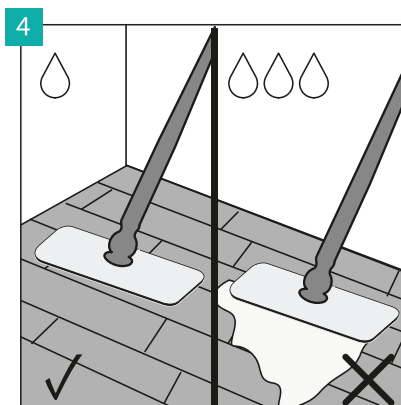
USE AND MAINTENANCE (INSTALLATION MAT)



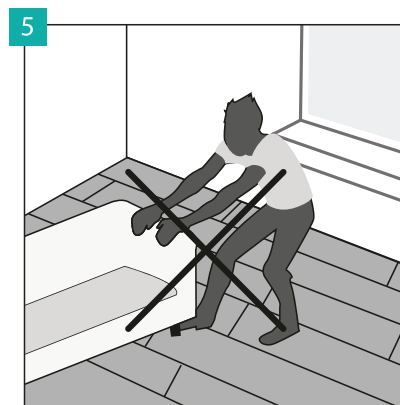
In the case of installation of the panels to the installation mat ("FASTLAY"), heavy objects may be placed already after 2 hours from the installation process, and the floor may be walked on directly after the installation.



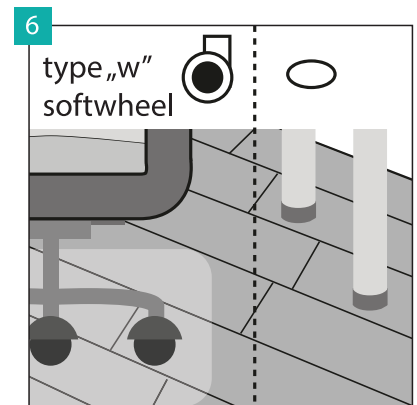
The Arbiton floor may be cleaned with a vacuum cleaner, however, it is prohibited to use steam cleaning devices.



The Arbiton floor can be cleaned with a damp or wet mop.



The movement of heavy objects along the floor is not allowed. They must be moved only after they are lifted.



Used office chairs with W-type castors, protecting the floor additionally by means of the protective net. The furniture legs must be provided with protective pads which provide protection against scratching, e.g. made of felt.

WATCH THE
INSTALLATION
VIDEOS
ON
www.1space1floor.com